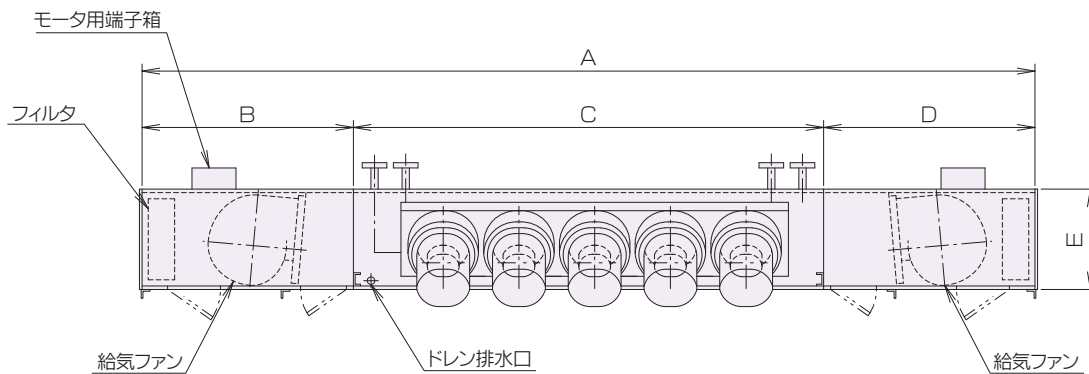
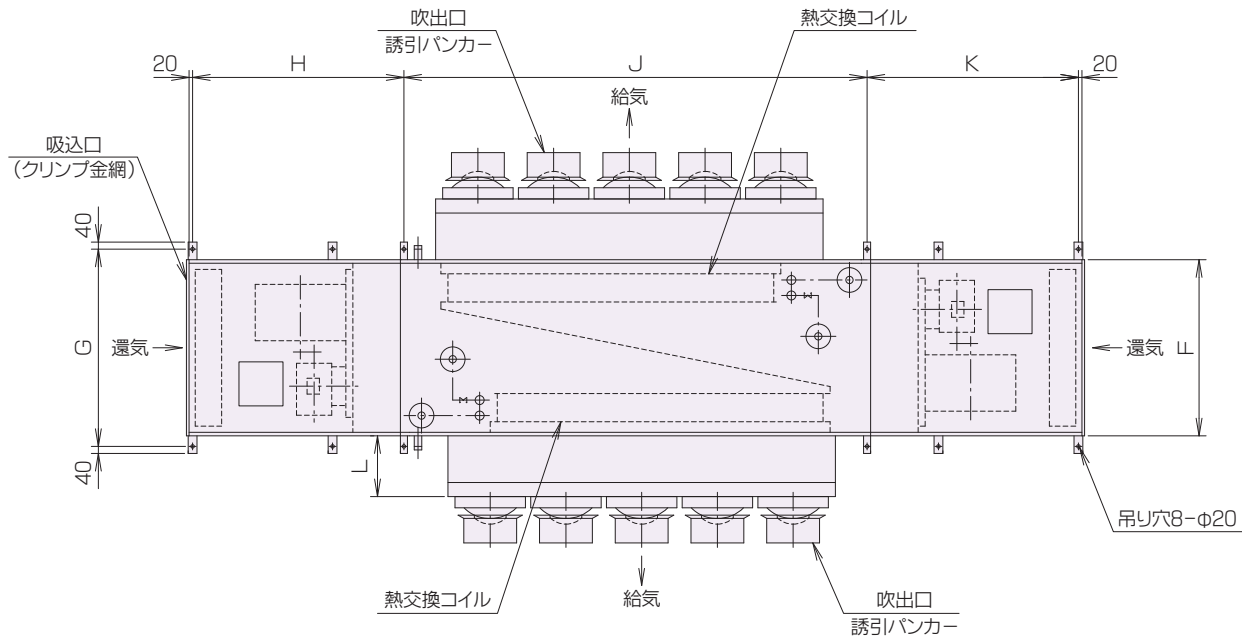


# CRH2-WA型

## ■寸法表 (mm)



型番	A	B	C	D	E	F	G	H	J	K	L	吹出口
9600WA	4920	1300	2320	1300	570	900	1020	1300	2280	1300	376	#14×8
13200WA	5370	1350	2670	1350	"	1000	1120	1350	2630	1350	376	#14×10
19200WA	6170	1500	3170	1500	700	1150	1270	1500	3130	1500	455	#16×10
25800WA	6770	"	3770	"	"	1230	1350	"	3730	"	"	#16×12